



**3 GHz BNC LATCHING S.P.3 T. SWITCH**

OPTIONS :

**R F CHARACTERISTICS**

NUMBER OF WAYS : 3  
FREQUENCY RANGE : 0 - 3 GHz  
IMPEDANCE : 50 Ohms

|                 |         |
|-----------------|---------|
| FREQUENCY (GHz) | 0 - 3   |
| V.S.W.R <=      | 1.20    |
| INSERT. LOSS <= | 0.20 dB |
| ISOLATION >=    | 80 dB   |
| AVER. POWER (*) | 240 W   |

**ELECTRICAL CHARACTERISTICS**

ACTUATOR : LATCHING  
NOMINAL CURRENT AT 25°C (±10%) : 125 mA / RESET : 375 mA (\*\*)  
ACTUATOR VOLTAGE (Vcc) : 28V (24 to 30V) / NEGATIVE COMMON  
TERMINALS : solder pins (250°C max./30 sec.)

**MECHANICAL CHARACTERISTICS**

CONNECTORS : BNC female per MIL C 39012  
LIFE : 2.000.000 cycles per position  
SWITCHING TIME (nominal voltage;25°C) : < 15 ms  
CONSTRUCTION : splashproof  
WEIGHT : < 460 g

**ENVIRONMENTAL CHARACTERISTICS**

OPERATING TEMPERATURE RANGE (°C) : -40 , +85  
STORAGE TEMPERATURE RANGE (°C) : -55 , +85

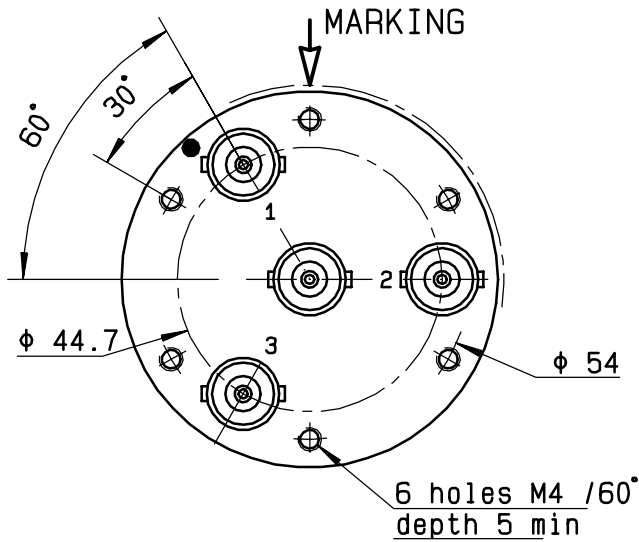
(\* : average power at 25°C per RF path)  
(\*\* RESET : supply voltage time 1sec. max./duty cycle 10%)

4112-9212 This information is given as an indication. In the continual goal to improve our products, we reserve the right to make any modifications judged necessary

**DRAWING**

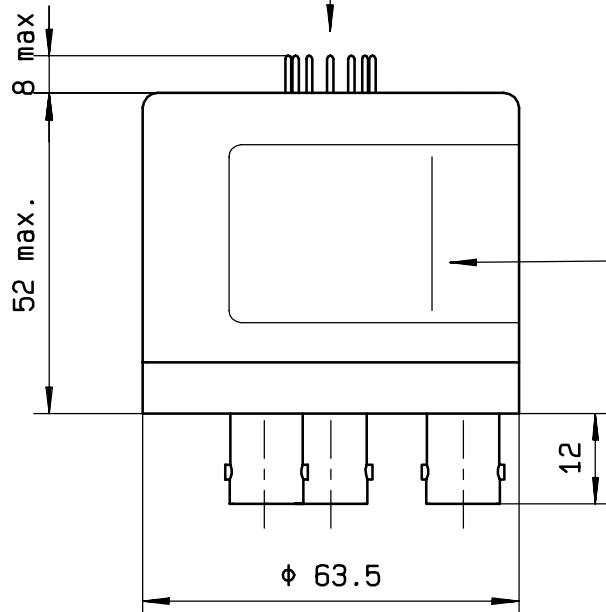
General tolerance: ± 0,5 mm

**R573 223 300**



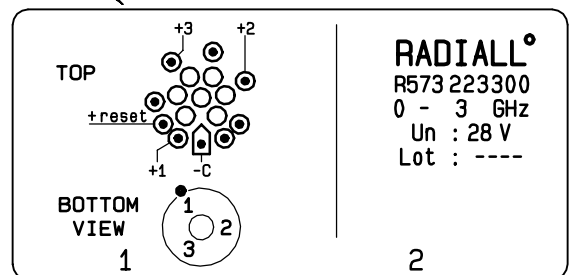
| Voltage   | RF continuity  |
|-----------|----------------|
| -C +RESET | All ports open |
| -C +1     | IN ↔ 1         |
| -C +2     | IN ↔ 2         |
| -C +3     | IN ↔ 3         |

**TERMINALS**



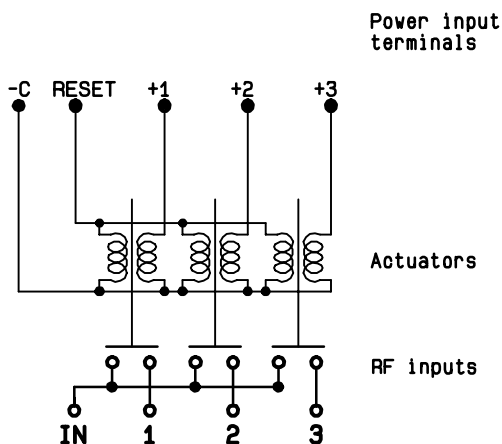
MARKING

TOP VIEW (TERMINALS)



**RADIALL<sup>o</sup>**  
R573 223 300  
0 - 3 GHz  
Un : 28 V  
Lot : ----

**SCHEMATIC DIAGRAM**



Power input terminals

Actuators

RF inputs

4113-9212 This information is given as an indication. In the continual goal to improve our products, we reserve the right to make any modifications judged necessary